

**This electronic collection of documents is provided
for the convenience of the user
and is Not a Certified Document –**

**The documents contained herein were originally issued
and sealed by the individuals whose names and license
numbers appear on each page, on the dates appearing
with their signature on that page.**

**This file or an individual page
shall not be considered a certified document.**

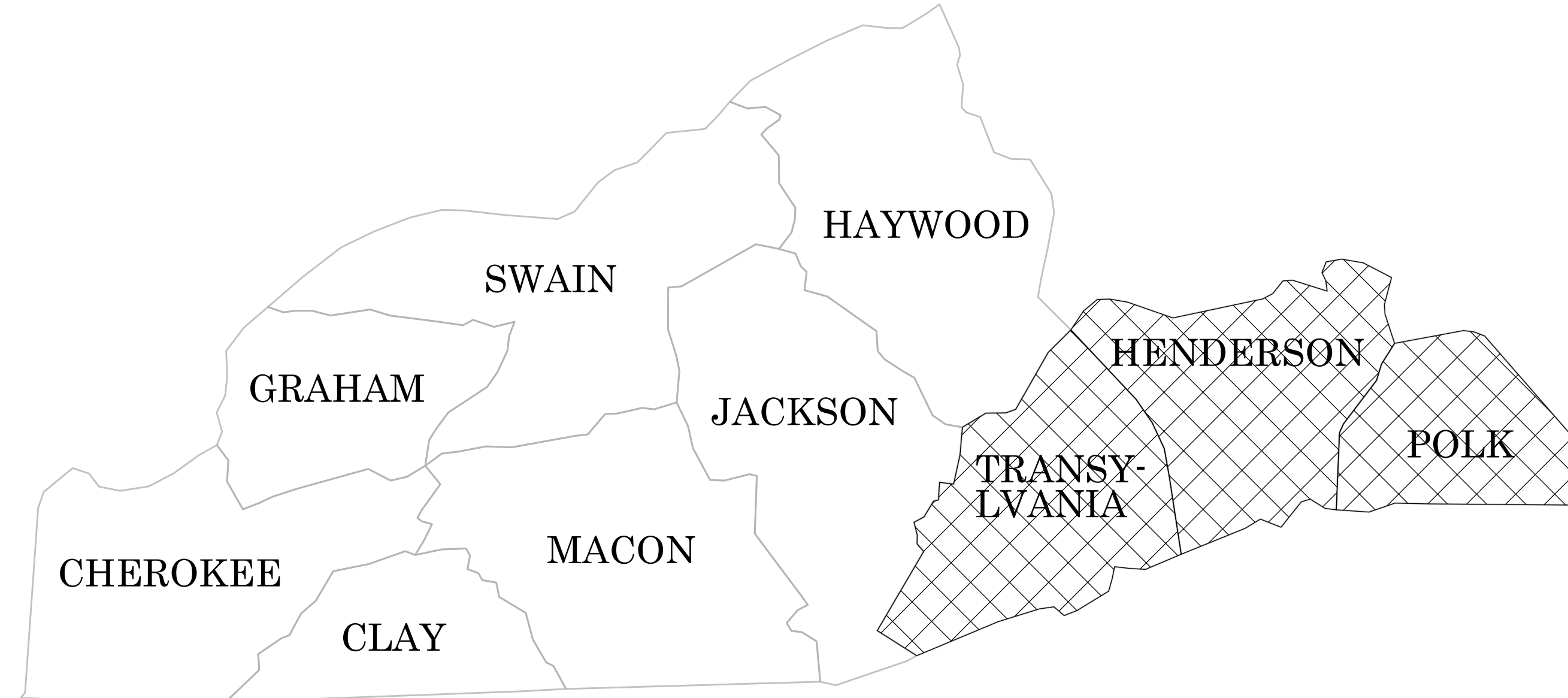
STATE OF NORTH CAROLINA DIVISION OF HIGHWAYS

DIVISION 14

LOCATION: *VARIOUS LOCATIONS ACROSS
DISTRICT 1 IN DIVISION 14*

TYPE OF WORK: *IDIQ ON-CALL CONCRETE INSTALLATION,
REPAIR & MAINTENANCE SERVICES*

STATE	STATE PROJECT REFERENCE NO.	SHEET NO.	TOTAL SHEETS
N.C.	DN12123948	1	3
STATE PROJ. NO.	F. A. PROJ. NO.	DESCRIPTION	
14.104511			
14.107511			
14.108811			



CONTRACT: DN12123948

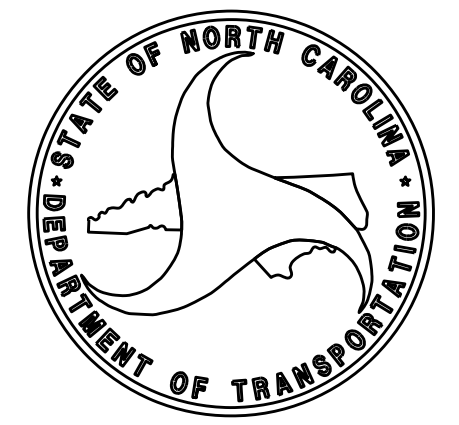
Prepared in the Office of:
DIVISION OF HIGHWAYS
253 WEBSTER RD., SYLVA NC, 28779

2024 STANDARD SPECIFICATIONS

RIGHT OF WAY DATE: N/A	TROY WILSON, P.E. PROJECT ENGINEER
LETTING DATE: MAY 28, 2024	GARRETT B HIGDON, P.E. PROJECT DESIGN ENGINEER

ROADWAY DESIGN ENGINEER

SIGNATURE: P.E.



INDEX OF SHEETS

SHEET NUMBER	SHEET
1	TITLE SHEET
1A	INDEX OF SHEETS AND STANDARD DRAWINGS
2B-1	CONCRETE WASHOUT STRUCTURE

GENERAL NOTES: 2024 SPECIFICATIONS

DISPOSAL OF ALL CONCRETE MATERIALS NOT COVERED BY THE 2024 STANDARD SPECIFICATIONS FOR ROADS AND STRUCTURES, IS CONSIDERED INCIDENTAL TO ALL OTHER PAY ITEMS IN THE CONTRACT

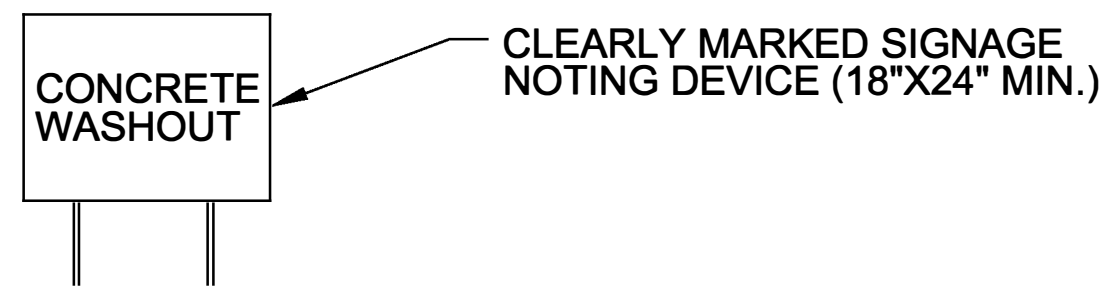
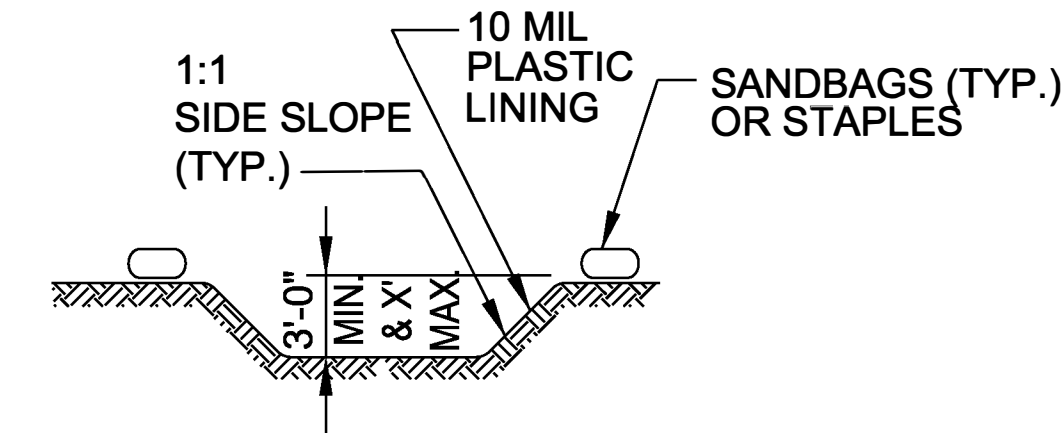
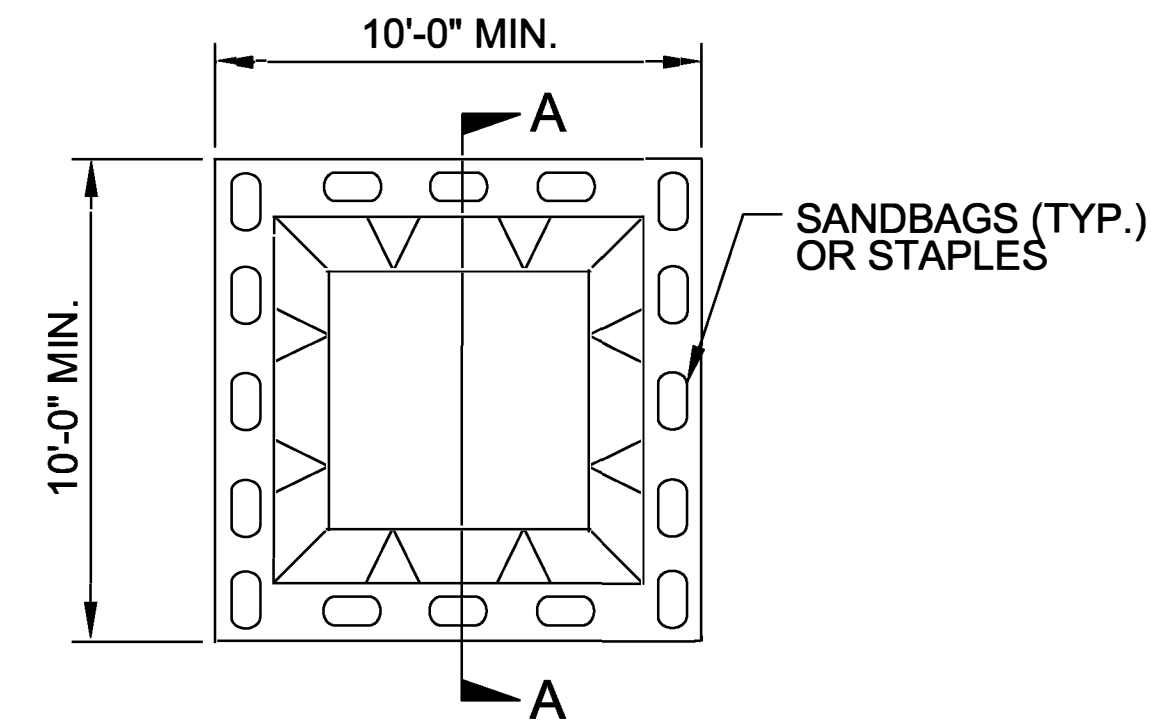
2024 ROADWAY ENGLISH STANDARD DRAWINGS

The following Roadway Standards as appear in "Roadway Standard Drawings" Highway Design Branch - N. C. Department of Transportation - Raleigh, N. C., Dated January 16, 2024 are applicable to this project and by reference hereby are considered a part of these plans:

- | STD.NO. | TITLE |
|---|---|
| DIVISION 8 - INCIDENTALS | |
| 846.01 | Concrete Curb, Gutter and Curb & Gutter |
| 848.01 | Concrete Sidewalk |
| 848.02 | Driveway Turnout - Radius Type |
| 848.03 | Driveway Turnout - Drop Curb Type |
| 848.04 | Street Turnout |
| 848.05 | Curb Ramp - Proposed Curb & Gutter |
| 848.06 | Curb Ramp - Existing Curb & Gutter |
| 850.01 | Concrete Paved Ditches |
| 852.01 | Concrete Islands |
| 852.02 | Concrete Mountable Median - for Use with Rigid or Flexible Pavement |
| 852.10 | Median Construction - with Curb and Gutter |
| DIVISION 11 - WORK ZONE TRAFFIC CONTROL | |
| 1101.01 | WORK ZONE WARNING SIGNS |
| 1101.02 | TEMPORARY LANE CLOSURES |
| 1101.03 | TEMPORARY ROAD CLOSURES |
| 1101.04 | TEMPORARY SHOULDER CLOSURES |
| 1101.05 | WORK ZONE VEHICLE ACCESSES |
| 1101.06 | WARNING SIGNS FOR BLASTING ZONES |
| 1101.11 | TRAFFIC CONTROL DESIGN TABLES |
| 1110.01 | STATIONARY WORK ZONE SIGNS |
| 1110.02 | PORTABLE WORK ZONE SIGNS |
| 1115.01 | FLASHING ARROW BOARDS |
| 1130.01 | DRUMS |
| 1135.01 | CONES |
| 1145.01 | BARRICADES |
| 1150.01 | FLAGGING DEVICES |
| 1160.01 | TEMPORARY CRASH CUSHION |
| 1165.01 | TRUCK MOUNTED ATTENUATOR |
| 1170.01 | PORTABLE CONCRETE BARRIER |
| 1180.01 | SKINNY - DRUMS |

PROJECT REFERENCE NO. DN12123948	SHEET NO. 2B-1
RW SHEET NO.	
ROADWAY DESIGN ENGINEER	HYDRAULICS ENGINEER

ONSITE CONCRETE WASHOUT STRUCTURE WITH LINER



SECTION A-A

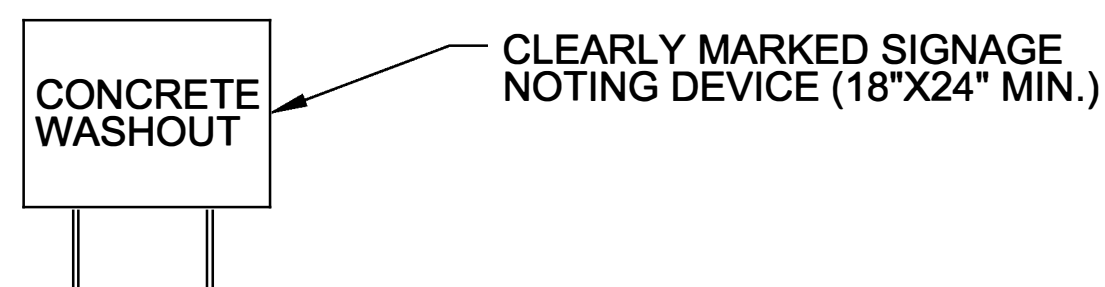
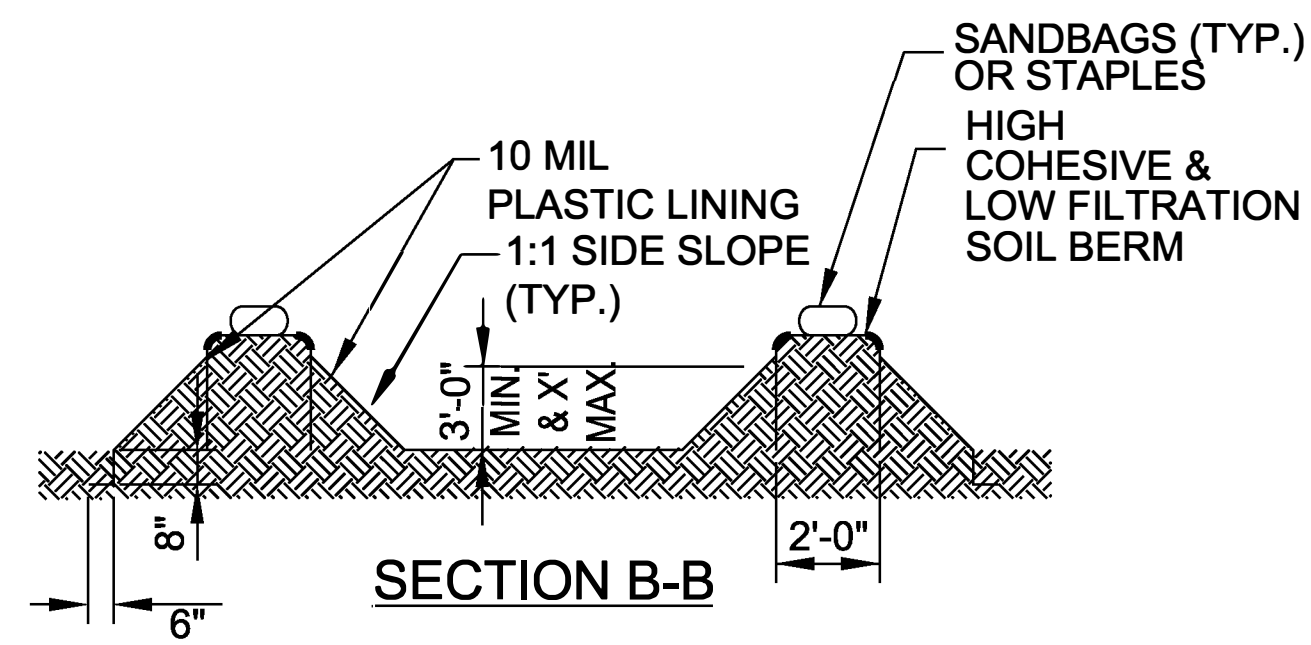
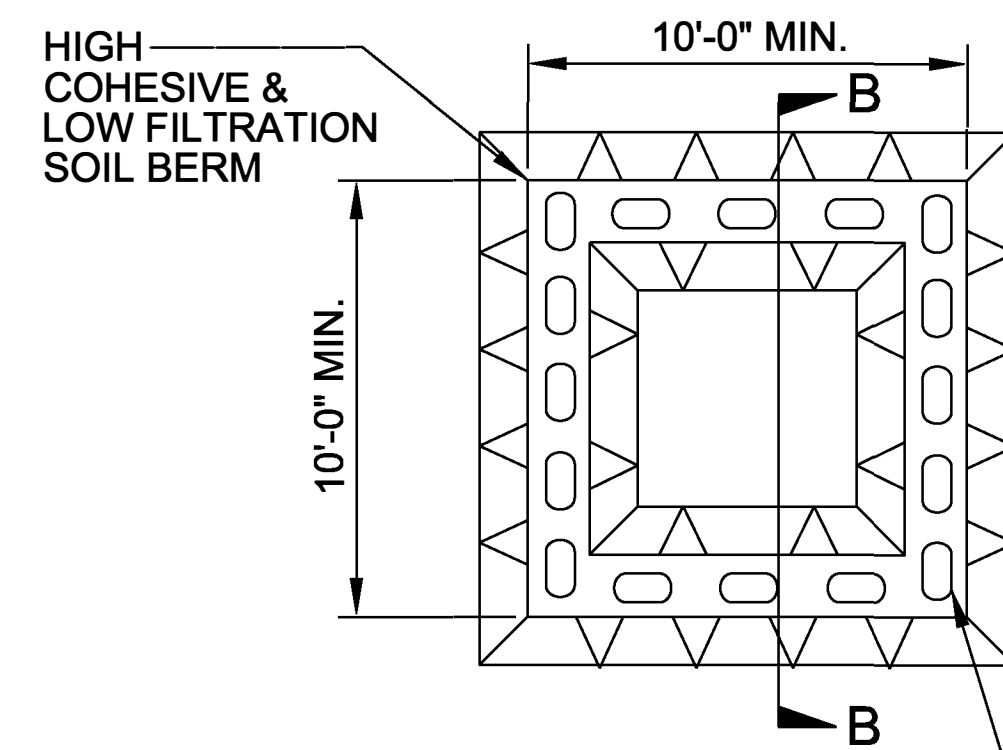
NOTES:

1. ACTUAL LOCATION DETERMINED IN FIELD
2. THE CONCRETE WASHOUT STRUCTURES SHALL BE MAINTAINED WHEN THE LIQUID AND/OR SOLID REACHES 75% OF THE STRUCTURES CAPACITY.
3. CONCRETE WASHOUT STRUCTURE NEEDS TO BE CLEARLY MARKED WITH SIGNAGE NOTING DEVICE.

PLAN

BELOW GRADE WASHOUT STRUCTURE

NOT TO SCALE



NOTES:

1. ACTUAL LOCATION DETERMINED IN FIELD
2. THE CONCRETE WASHOUT STRUCTURES SHALL BE MAINTAINED WHEN THE LIQUID AND/OR SOLID REACHES 75% OF THE STRUCTURES CAPACITY TO PROVIDE ADEQUATE HOLDING CAPACITY WITH A MINIMUM 12 INCHES OF FREEBOARD.
3. CONCRETE WASHOUT STRUCTURE NEEDS TO BE CLEARLY MARKED WITH SIGNAGE NOTING DEVICE.

PLAN

ABOVE GRADE WASHOUT STRUCTURE

NOT TO SCALE